



Add: 4/F.,Xinnuo Building, Neihuan Rd.,Nanshan District, Shenzhen 518052, China.  
 Tel: 0086 755 26284440 Fax: 0086 755 26415850  
 Site: www.skymicrowave.com Email: sales@skymicrowave.com

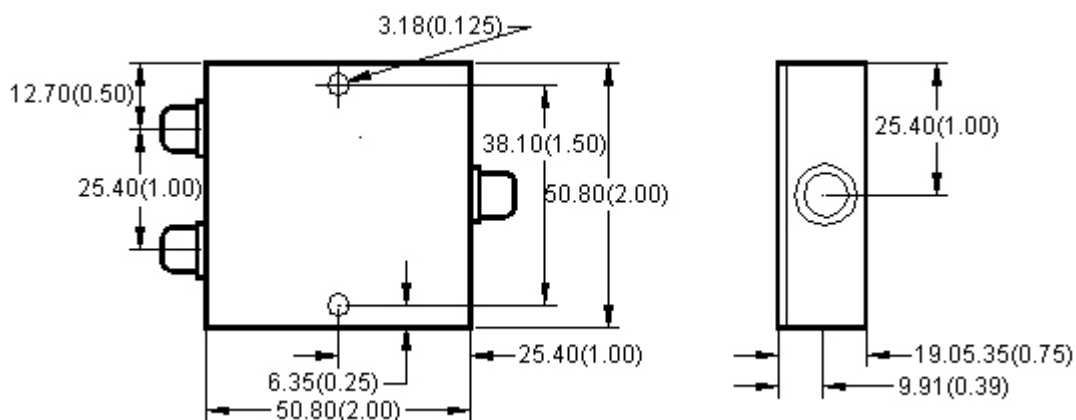
The specification and outline drawing of

## Power combiners/splitters

Model	Freq. Range (Mhz) F <sub>L</sub> -F <sub>U</sub>	Insertion Loss(dB)			Isolation (dB)			VSWR	Unbalance					
		L	M	U	L	M	U		Phase (Deg)			Amplitude(dB)		
									Typ/Max	Max	Typ/Max	Typ/Min	Min	Typ/Min
FLT-2-0.9N	800-1000		0.5			20		1.10/1.35		2			0.2	

### Notes:

- Input and output impedance: 50 Ohms
- Connector: N -F
- Power:  $\leq 1$ w
- Case material:Aluminum alloy with Nickel-plating. And the logo/marks carved by laser.
- Guarantee:12months
- Operation temperature:-35C-+80C deg



Note: The size is the max