



Add: 4/F.,Xinnuo Building, Neihua Rd.,Nanshan District, Shenzhen 518052, China.  
 Tel: 0086 755 26284440 Fax: 0086 755 26483329  
 Site: www.skymicrowave.com Email: sales@skymicrowave.com

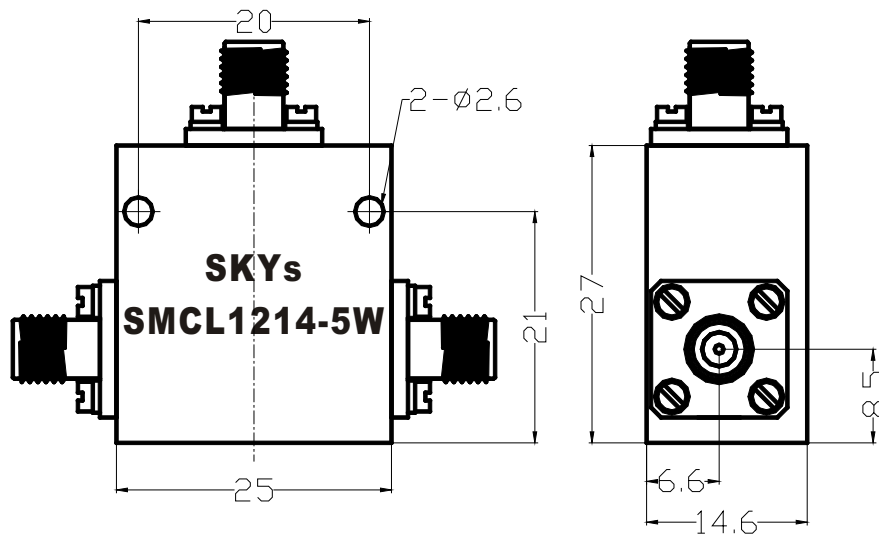
The specification and outline drawing of

**Coaxial Circulator Model:SMCL1214-5W**

Model	Freq. Range (GHz) F <sub>L</sub> -F <sub>U</sub>	Insertion Loss (dB)	Isolation (dB)	VSWR(dB)	Package Style
		Max	Min	Max	
SMCL1214-5W	1.2-1.4	0.5	20	1.2:1	See below

**Notes:**

- a. Operating Power : 5 Watt
- b. Impedance : 50 ohms
- c. Connector : SMA-F, SMA-F
- d. Case material : Aluminum alloy with Nickel-plating, and the logo/marks carved by laser.
- e. Operation temperature : -40C-+70C deg



(Unit:mm)