



Add: 4/F.,Xinnuo Building, Neihua Rd.,Nanshan District, Shenzhen 518052, China.
 Tel: 0086 755 26483458 Fax: 0086 755 26483329
 Site: www.skymicrowave.com Email: sales@skymicrowave.com

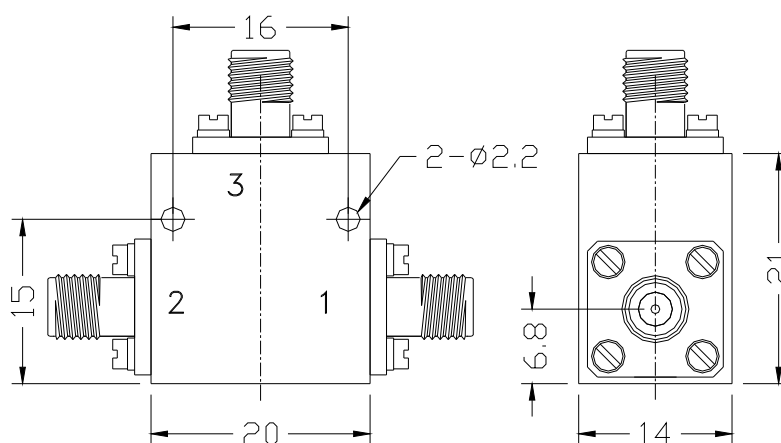
The specification and outline drawing of

Coaxial Circulator Model:SMCL2325-10W

Model	Freq. Range (GHz) F _L -F _U	Insertion Loss (dB)	Isolation (dB)	VSWR	Package Style
		Max	Min	Min	
SMCL2325-10W	2.3-2.5	0.3	25	1.15:1	See below

Notes:

- a. Operating Power : 10Watt
- b. Connector : SMA-F-F-F
- c. Case material : Aluminum alloy and the logo/marks carved by laser.
- d. Operation temperature : -40C-+70C deg



(Unit:mm)